

TECHNICAL SPECIFICATIONS

SEAMLESS QUARTZ VANITY TOP WITH INTEGRATED SINK

BALLINO



Quantra
quartz

SEAMLESS QUARTZ VANITY TOP WITH INTEGRATED SINK

BALLINO-2201

TECHNICAL SPECIFICATIONS

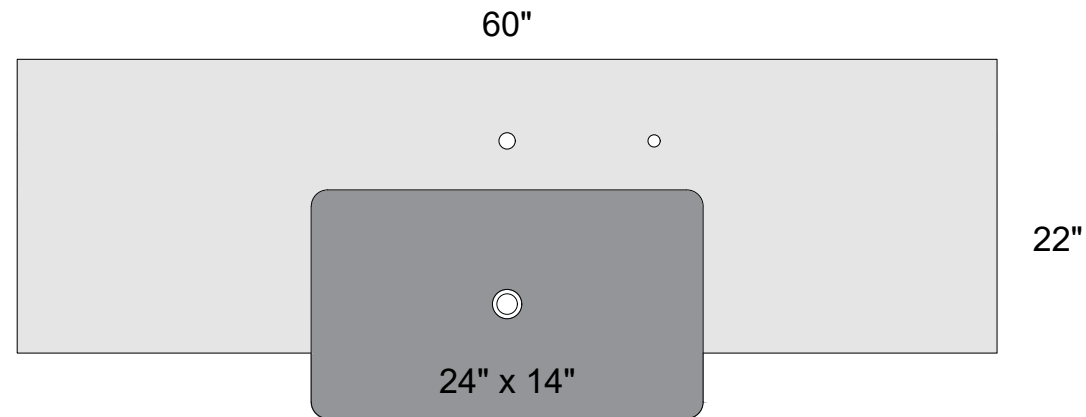
BALL-6022

Specifications:

- Vanity Top Dimensions: 60" x 22"
- Inner Sink Dimensions: 24" x 14"
- Sink Depth: 6"
- Overflow: YES
- Faucet Hole: 1
- Sink: 1
- Mirror Dimension: 26" x 22"
- Mirror Frame depth: Top: 2"; Base: 4"

Optional:

- Soap Hole: 1
- Support Brackets: No



Quantra Quartz products are made of natural quartz and proprietary binders. Each piece may have minor variations in colour/shape, vein and visual pattern; which adds to its uniqueness. This technical specification sheet cannot be used as an installation guide. All measurements are subject to change and minor variations. Diagrams are not to scale and are for illustration purposes only.

Quantra[®]
quartz