

## BASIN: SIRMOINE

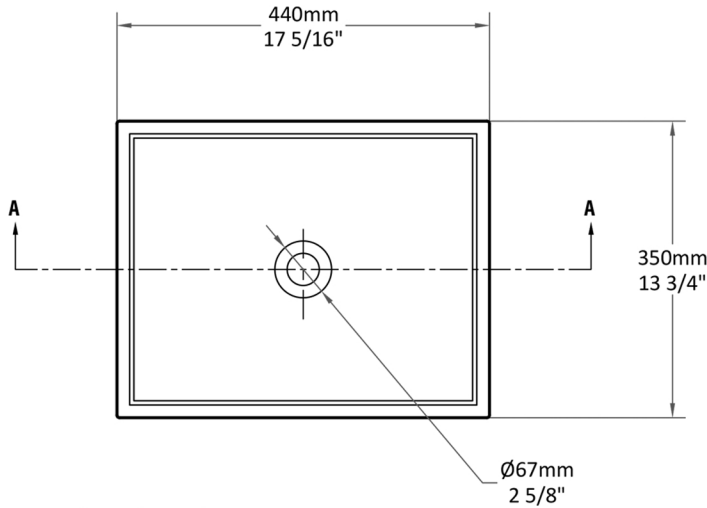


Length: *440 mm*  
Width: *350 mm*  
Shape: *Rectangular*

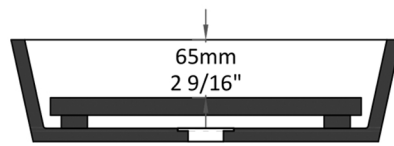
Height: *115 mm*  
Weight: *16 kg*  
Type: *Over Counter*

**BASIN: SIRMOINE**

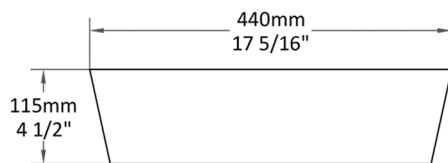
Top View



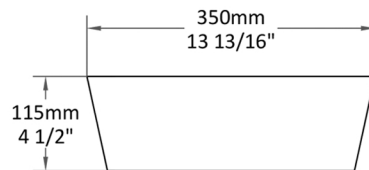
Section AA



Front View



Side View



Quantra quartz products are made of natural quartz and proprietary binders. Each piece may have minor variations in color/shape, vein & visual pattern; which adds to its uniqueness. This technical specification sheet cannot be used as an installation guide. All measurements are subject to change and minor variations. Weights given are approximate.